

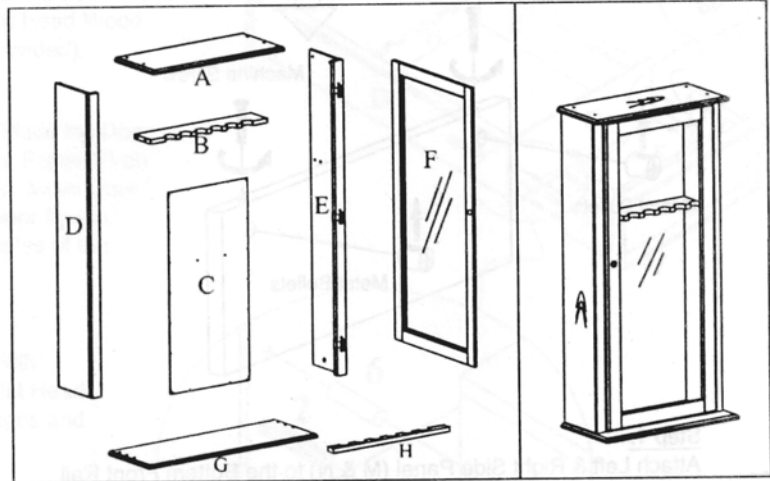
## 600 Gun Cabinet

### Components List:

#### Upper Cabinet

- A. Top Panel .....1pc
- B. Upper Barrel Rest.....1pc
- C. Upper Back Panel.....1pc
- D. Left Side Panel.....1pc
- E. Right Side Panel With Hinges.....1pc
- F. Door Panel.....1pc
- G. Drawer Top Panel.....1pc
- H. Lower Barrel Rest .....1pc

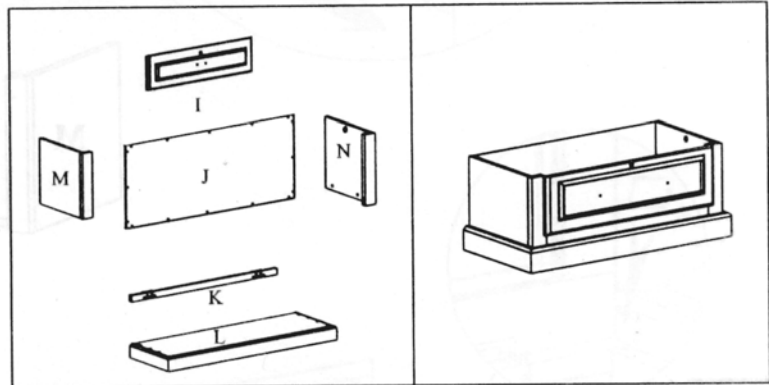
#### Upper Cabinet



#### Lower Cabinet

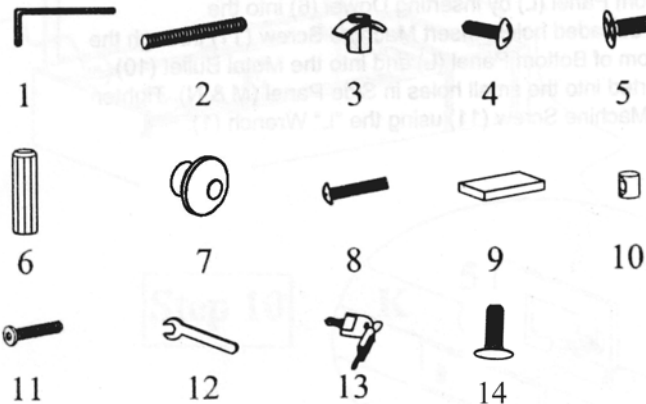
- I. Front Panel With Lock.....1pc
- J. Bottom Back Panel .....1pc
- K. Bottom Front Rail With Hinges..... 1pc
- L. Bottom Panel .....1pc
- M. Left Side Panel .....1pc
- N. Right Side Panel .....1pc

#### Lower Cabinet



#### Hardware List:

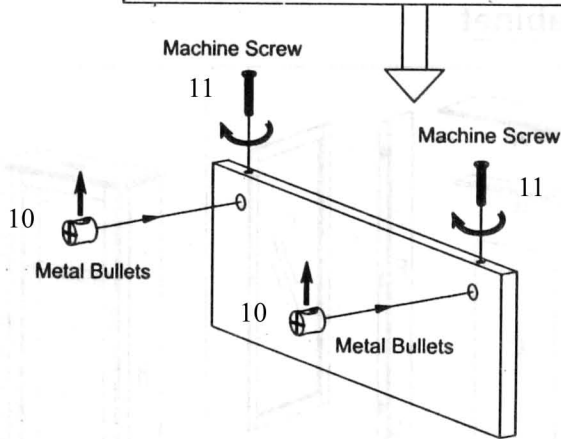
- 1. "L"Wrench .....1pc
- 2. Threaded Pin.....2pcs
- 3. Arch Nut.....2pcs
- 4. Round Head Wood Screw .....37 pcs
- 5. Flat Head Hinge Screw .....10pcs
- 6. Dowel.....22pcs
- 7. Knob .....2pcs
- 8. Knob Screws .....2pcs
- 9. Door Spacer Block.....1pc
- 10. Metal Bullet.....10pcs
- 11. Machine Screw .....8pcs
- 12. Wrench.....1pc
- 13. Keys.....2pairs
- 14. Leveler.....4 pcs



# Assembly Instructions: 600 Gun Cabinet

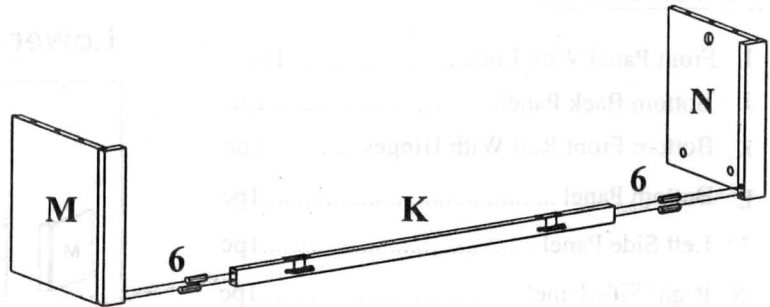
Unpack carton on a clean, smooth surface and inventory parts.

Important: Always Insert Metal Bullets so that the X in the end of the Bullet faces out of the holes and that the Threaded Hole is turned vertically for alignment with Machine Screws.



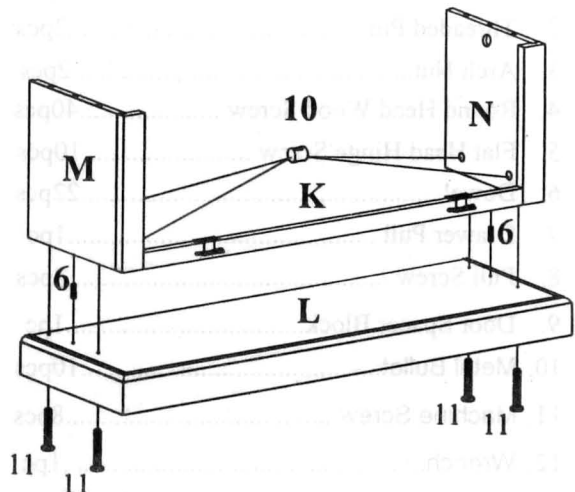
## Step 1

**Step 1:**  
Attach Left & Right Side Panel (M & N) to the Bottom Front Rail With Hinges (K) by inserting Dowel (6).



## Step 2

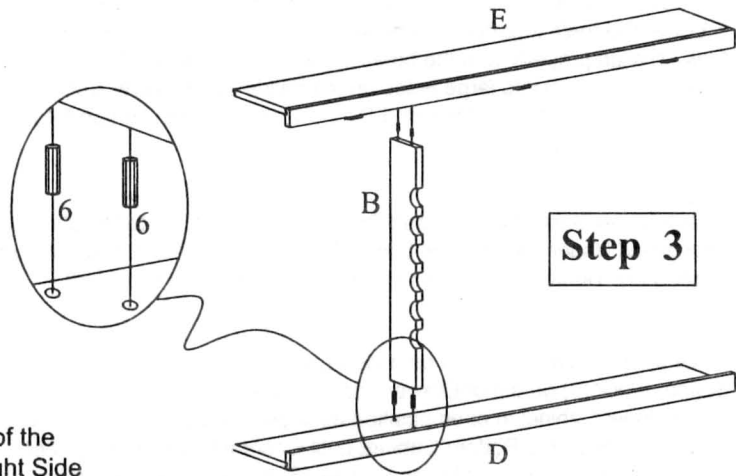
**Step 2:**  
Attach the assembled unit completed in Step 1 to the Bottom Panel (L) by inserting Dowel (6) into the non-threaded holes. Insert Machine Screw (11) through the bottom of Bottom Panel (L) and into the Metal Bullet (10) inserted into the small holes in Side Panel (M & N). Tighten the Machine Screw (11) using the "L" Wrench (1).



# Assembly Instructions: 600 Gun Cabinet

## Step 3:

Attach the Upper Barrel Rest (B) to the Left Side Panel (D) & Right Side Panel With Hinges (E) by inserting Dowels (6).

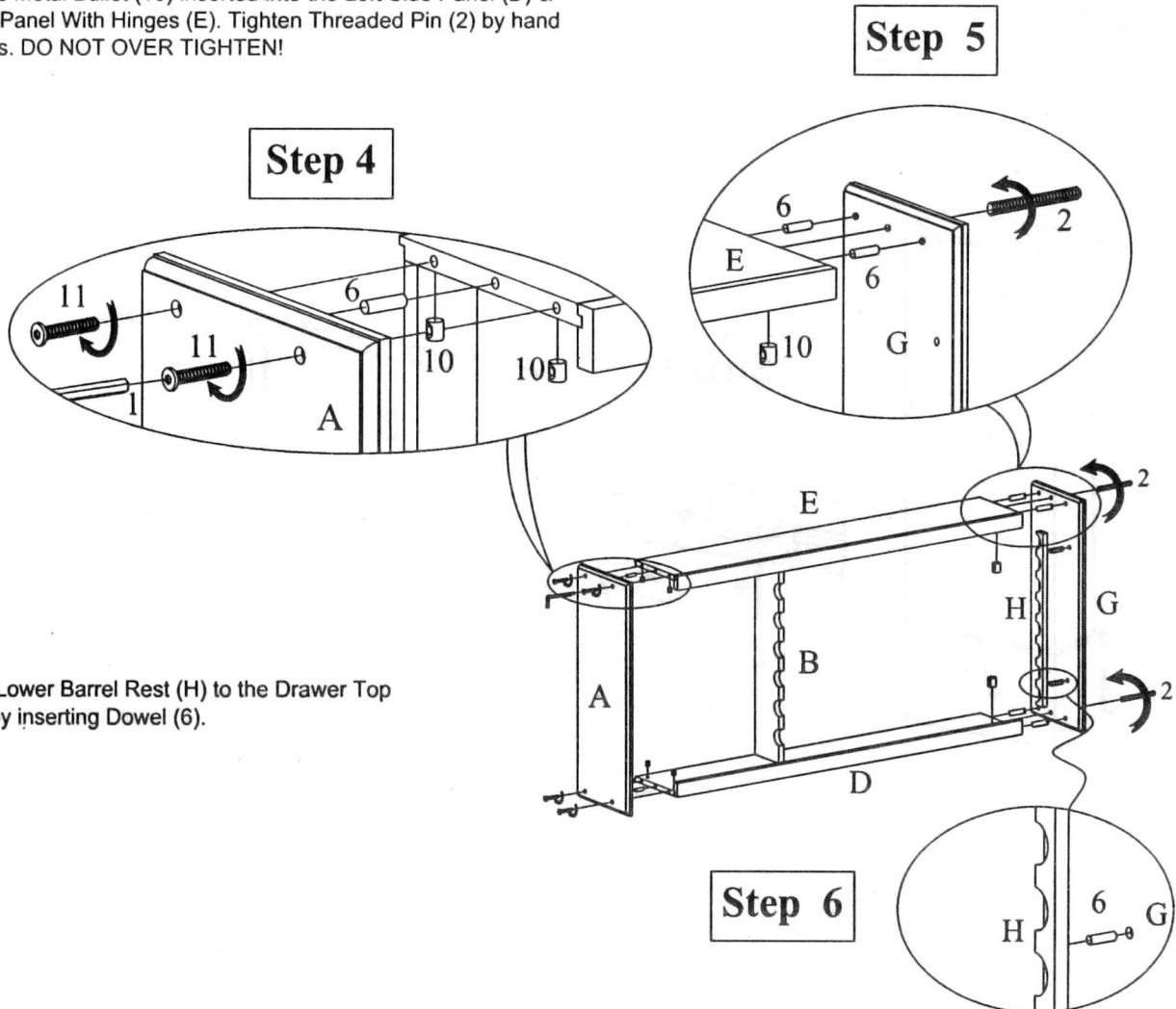


## Step 4:

Insert the Dowel (6) into the holes on the bottom side of the Top Panel (A) and into the Left Side Panel (D) and Right Side Panel With Hinges (E). Insert the Machine Screw (11) through the Top Panel (A) and into the Metal Bullet (10) inserted into the Left Side Panel (D) & Right Side Panel With Hinges (E). Tighten the Machine Screw (11) using the "L" Wrench (1).

## Step 5:

Insert the Dowel (6) into the holes on the top of Drawer Top Panel (G) and into the Left Side Panel (D) & Right Side Panel With Hinges (E). Insert Threaded Pin (2) through the bottom of Drawer Top Panel (G) and into the Metal Bullet (10) inserted into the Left Side Panel (D) & Right Side Panel With Hinges (E). Tighten Threaded Pin (2) by hand until it stops. DO NOT OVER TIGHTEN!



## Step 6:

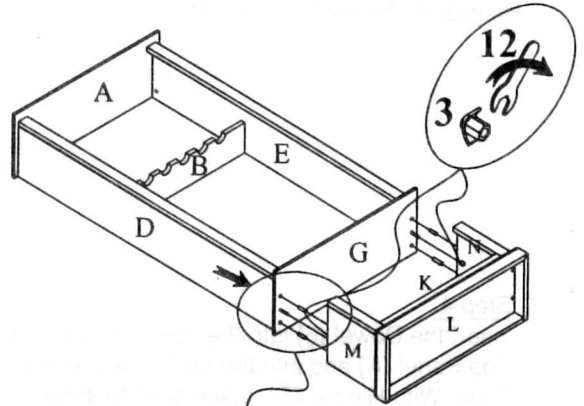
Attach the Lower Barrel Rest (H) to the Drawer Top Panel (G) by inserting Dowel (6).

# Assembly Instructions: 600 Gun Cabinet

## Step 7:

Lay both Upper & Lower Cabinets on their back on the floor. Slide the Upper & Lower Cabinets together making sure that the Dowel (6) and the Threaded Pins (2) align properly with the holes in the Lower Cabinet Side Panels. Insert Arch Nut (3) into large holes on the inside of the Lower Cabinet Sides (M & N). Screw onto the Threaded Pins (2) by hand then tighten fully by using Wrench (12).

## Step 7



## Step 8:

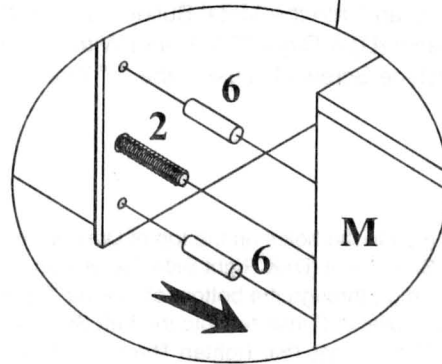
Attach Upper Back Panel (C) and Bottom Back Panel (J) to the back of the assembled Upper Cabinet and Lower Cabinet using Round Head Wood Screws (4). Tighten with Philips Head Screwdriver (Not Provided).

## Step 9:

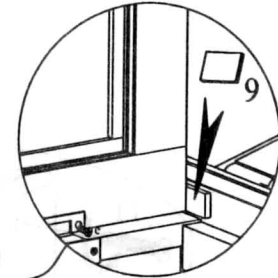
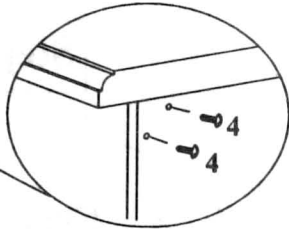
Place the Gun Cabinet down on a clean, smooth surface. Place the Door Spacer Block (9) on top of Drawer Top Panel (G). Lay Door Panel (F) on top of Upper Cabinet in open position as shown in Diagram. Move Door Panel (F) toward the Bottom Cabinet until it contacts the Door Spacer Block (9). Insert Flat Head Hinge Screws (5) through the holes of the Pre-attached Hinges and tighten into the Door Panel (F).

## Step 10:

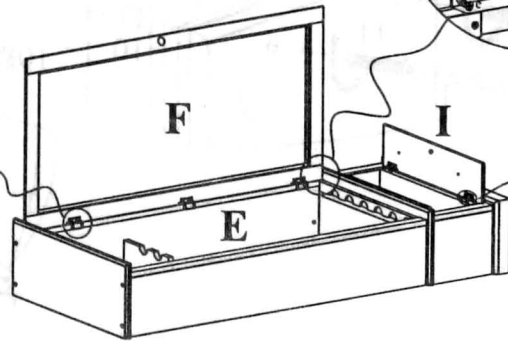
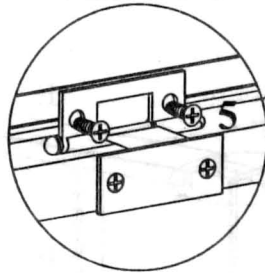
Lie Front Panel With Lock (I) on top of Bottom Front Rail With Hinges (K) in open position as shown in Diagram. Insert Flat Head Hinge Screw (5) through the holes of the Pre-attached Hinges and tighten into the Front Panel With Lock (I).



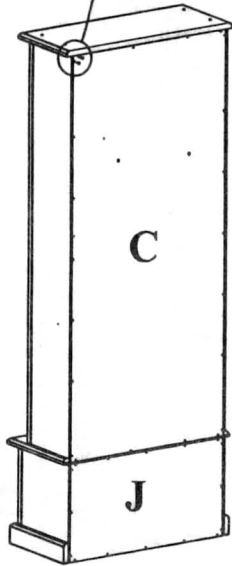
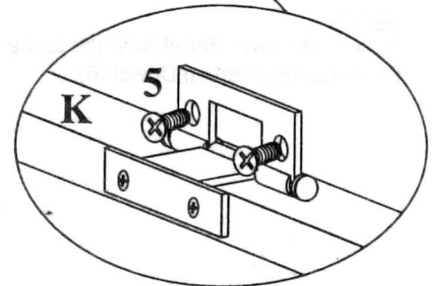
## Step 8



## Step 9



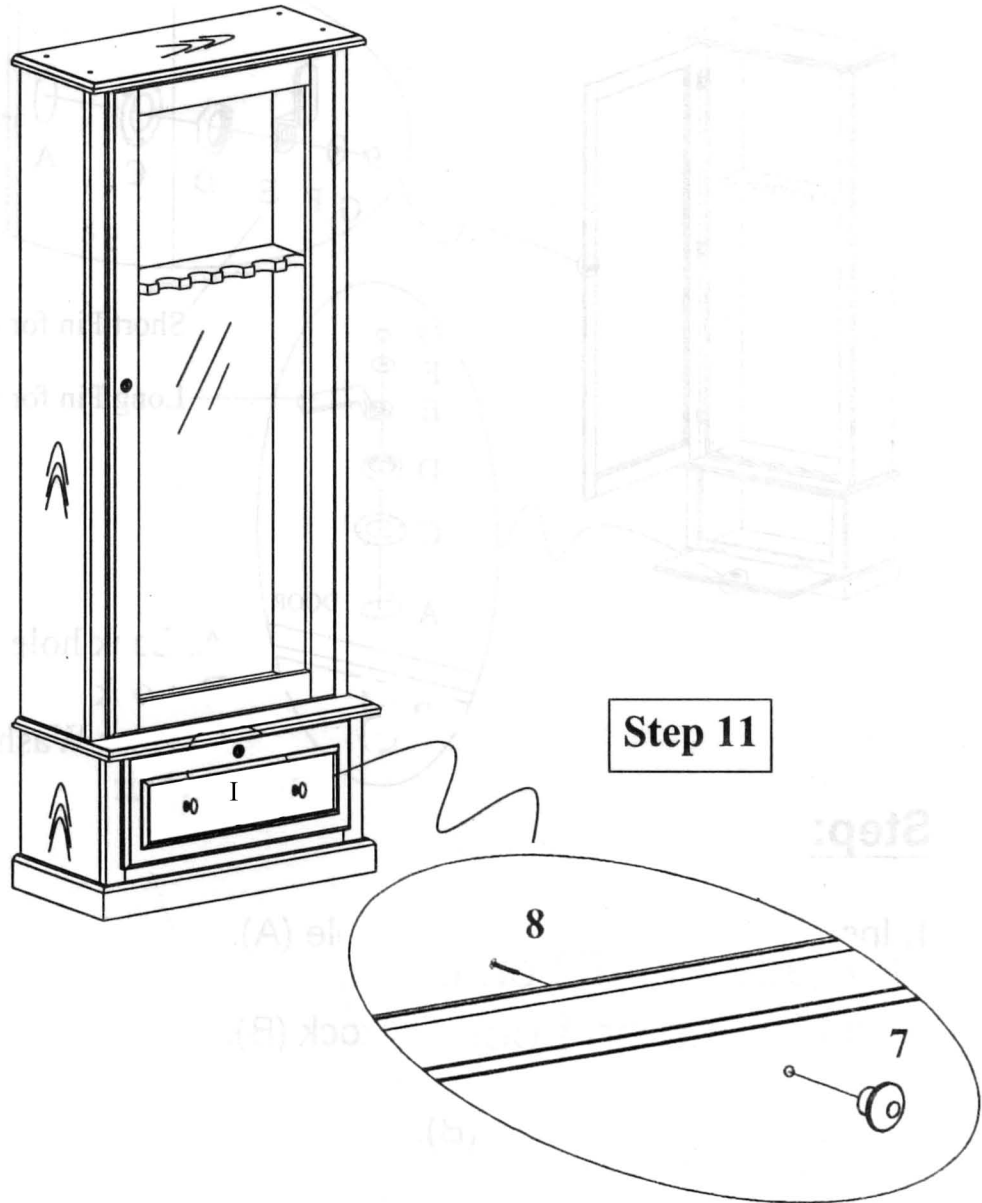
## Step 10



# Assembly Instructions: 600 Gun Cabinet

## Step 11:

Attach Drawer Knob (7) onto the outside of Front Panel With Lock (I) using Knob Screw (8). Tighten with Philips Head Screwdriver (Not Provided).



Assembly is now complete.

For extra safety we suggest you install the "Furniture Tipping Restraint" Provided in the separate hardware bag.

Post Office Box 111 - Webb City, Missouri 64870 - 0111

Toll Free - 888 - 673 - 9080

Fax - 417 - 673 - 9081

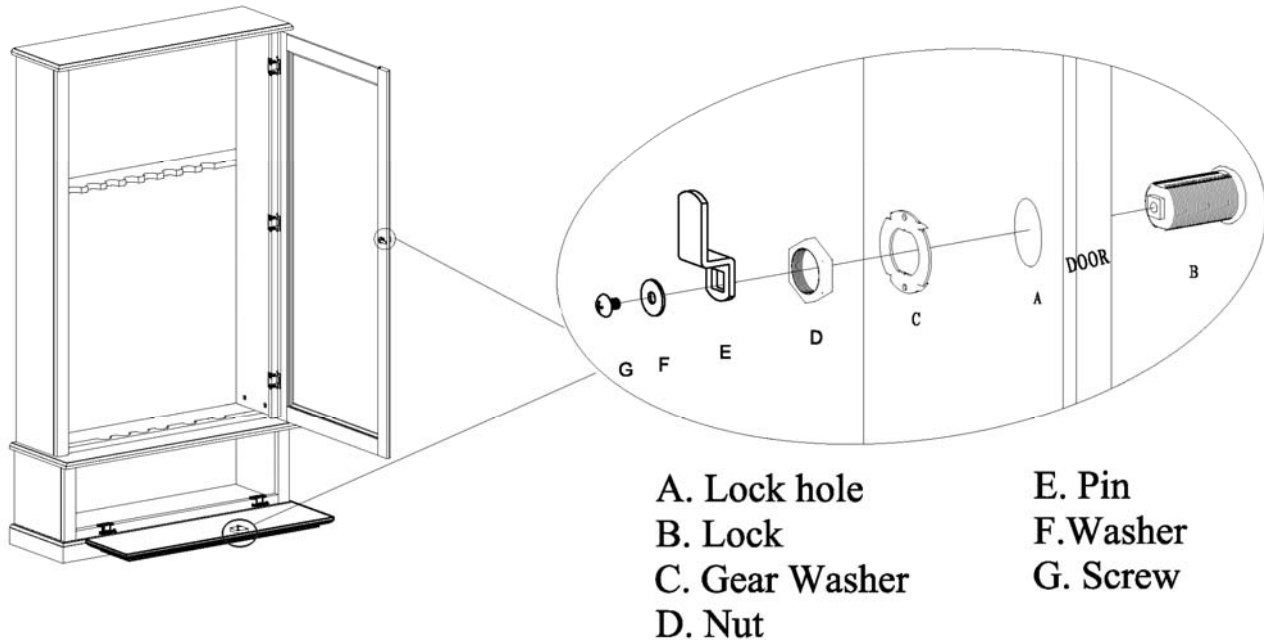
To order replacement parts online please visit:

[www.AmericanFurnitureClassics.com](http://www.AmericanFurnitureClassics.com)

or E - mail:

[service@americanfurnitureclassics.com](mailto:service@americanfurnitureclassics.com)

# Assembly Instructions For Lock Installation



## Step:

1. Insert **Lock (B)** into the **Lock Hole (A)**.
2. Put **Gear Washer (C)** on the **Lock (B)**.
3. Screw **Nut (D)** on **Lock (B)**.
4. Place **Pin (E)** onto **Lock (B)**, Make sure the rectangular hole on **Pin (E)** and on **Lock (B)** are aligned properly.
5. Place **Washer (F)** onto **Lock (B)** and insert **Screw (G)** into the end of **Lock (B)**.
6. Tighten or loosen **Screw (G)** until **Pin (E)** fits tightly behind the back edge of the Door Frame when door is fully closed and lock is in locked position.

# LEVELER DIAGRAM

- Insert threaded section of “leveler” into holes in bottom corners of the cabinet.
- Screw all four (4) levelers completely into the Base of the Cabinet.
- When cabinet is placed in it’s final location, position it in your Room. Unscrew the levelers to adjust for any unevenness in your floor or carpeting.
- **IMPORTANT**: We suggest that you extend (unscrew) the two (2) front levelers slightly more than the two (2) rear levelers. This will tip the cabinet back at a slight angle towards the wall. This will cause the door to “automatically” swing slowly closed.

